

$A \geq (X + 2 \text{ cm})$ v. fig. 4

$D \geq 50 \text{ cm}$

$E = 7 \div 10 \text{ cm}$

$F \leq 5 \text{ cm}$

$G = 10 \div 25 \text{ cm}$

$J = 90 \div 110 \text{ cm}$

$B \leq Z + 45 \text{ cm}$

Z v. fig 4

$\alpha \geq 45^\circ$

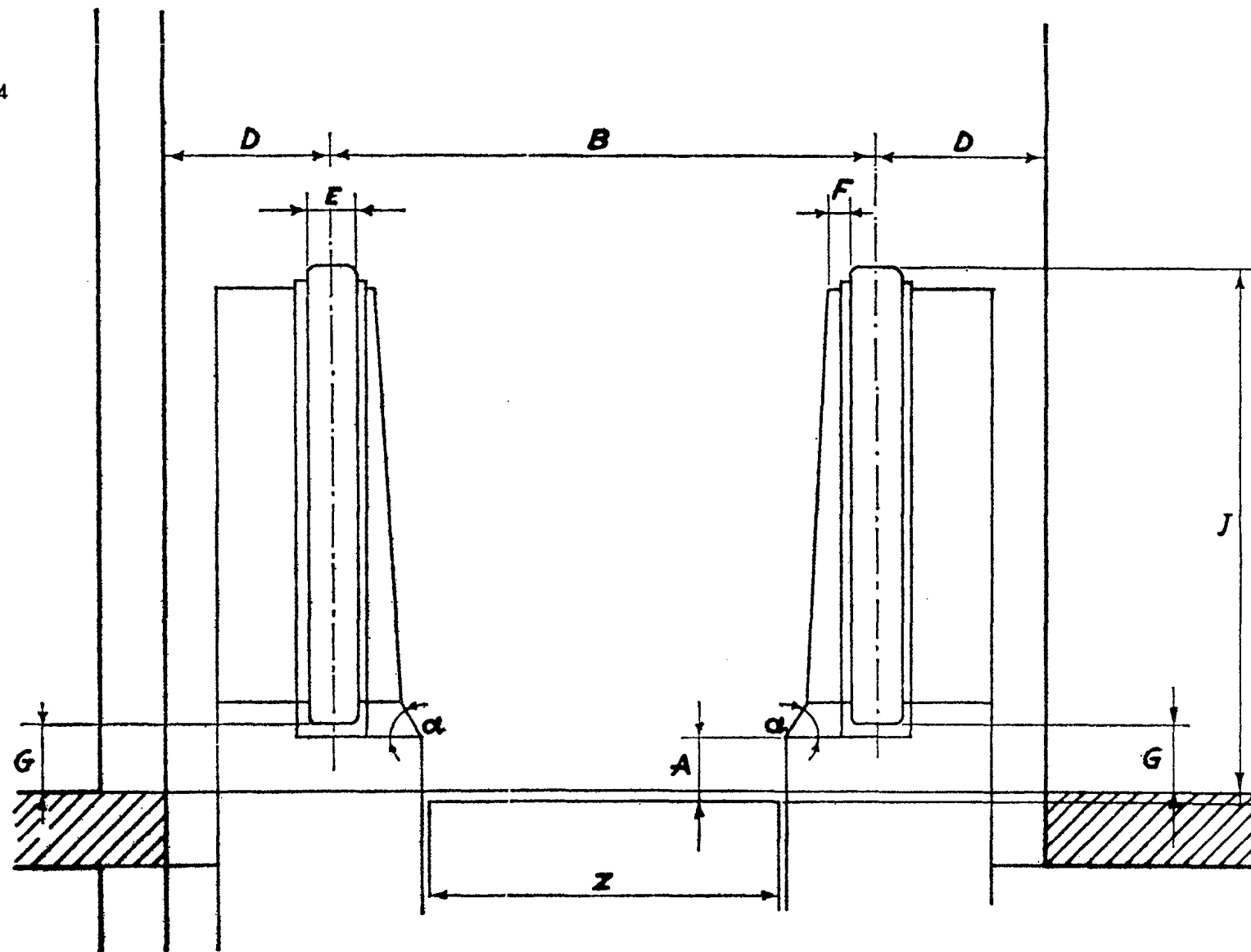


Fig 1